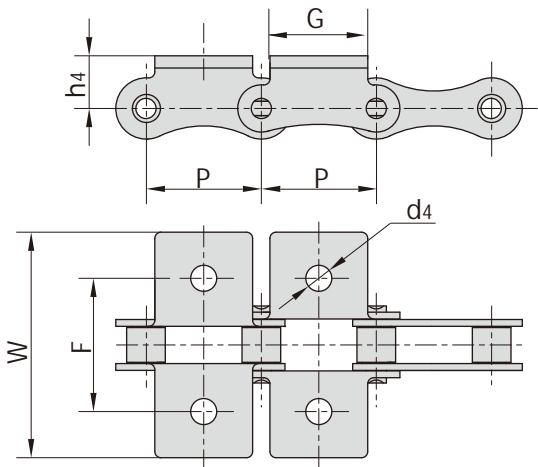
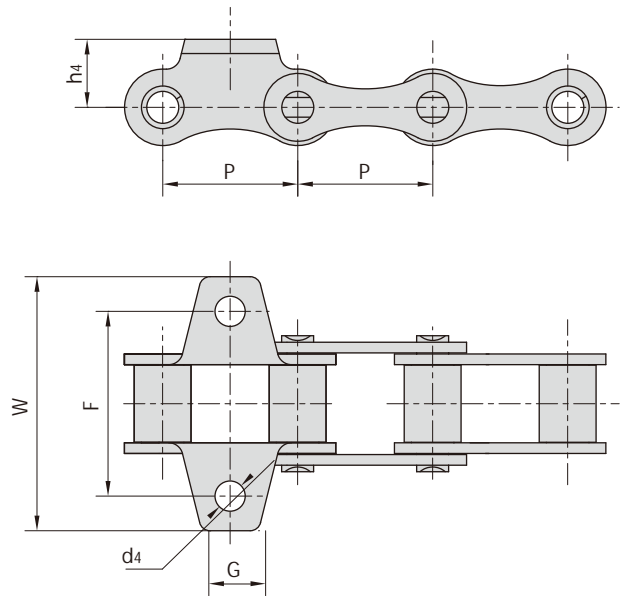


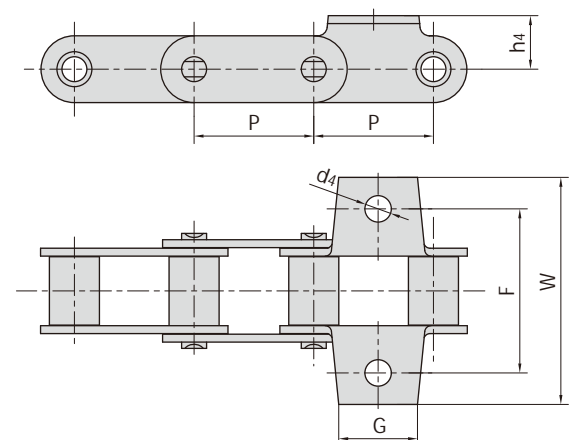
Chain with attachment for feeder house

Chain No.	<i>P</i> mm	<i>G</i> mm	<i>F</i> mm	<i>W</i> mm	<i>h</i> ₄ mm	<i>d</i> ₄ mm
ZGS38 K1F1	38.0	16.0	52.0	71.5	19.6	11.0
ZGS38 K1F2	38.0	16.0	52.0	74.6	19.6	8.5
ZGS38 K1F3	38.0	20.0	52.0	72.0	17.0	8.4
ZGS38H K1	38.0	20.0	60.0	80.0	17.0	8.5



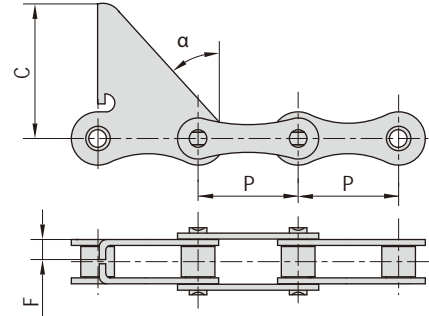
Chain No.	<i>P</i> mm	<i>G</i> mm	<i>F</i> mm	<i>W</i> mm	<i>h</i> ₄ mm	<i>d</i> ₄ mm
ZGS38K1	38.0	32.0	53.0	93.2	20.0	8.5

Chain No.	<i>P</i> mm	<i>G</i> mm	<i>F</i> mm	<i>W</i> mm	<i>h</i> ₄ mm	<i>d</i> ₄ mm
CZGS38 K1	38.0	20.0	52.0	72.0	17.0	8.4
CZS38SHL K1	38.0	26.5	52.0	76.0	17.0	8.4

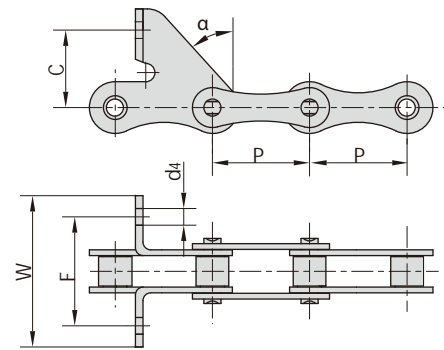


Chain with attachment for elevator, clean & return

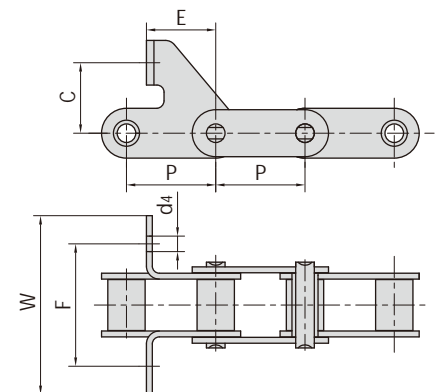
Chain No.	<i>P</i> mm	<i>C</i> mm	<i>F</i> mm	<i>a</i>
ZGS38F1	38.0	60.0	14.0	32.5°



Chain No.	<i>P</i> mm	<i>C</i> mm	<i>F</i> mm	<i>W</i> mm	<i>d₄</i> mm	<i>a</i>
ZGS38F3	38.0	30.0	52.0	68.4	6.50	43.5°
ZGS38SHL SD	38.0	30.0	52.0	68.0	6.60	43.5°
ZGS38S/H SD	38.0	30.0	52.0	68.0	8.60	43.5°
ZGS38SDF6	38.0	30.0	52.0	68.0	8.50	40.5°
ZGS38F32 SD	38.0	30.0	52.0	68.4	6.50	43.5°

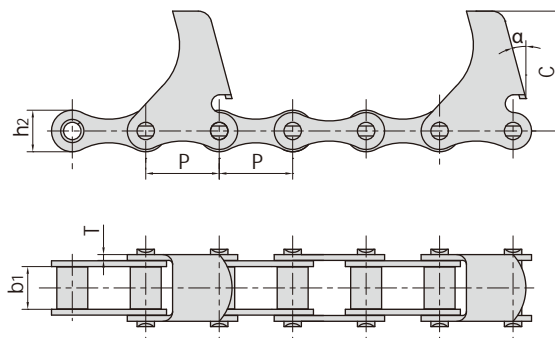


Chain No.	<i>P</i> mm	<i>C</i> mm	<i>F</i> mm	<i>W</i> mm	<i>d₄</i> mm	<i>E</i> mm
CZGS38 SD	38.0	30.0	52.0	80.0	6.6	19.0
CZGS38S SD	38.0	30.0	52.0	80.0	6.6	29.8
CZS38SH SD	38.0	30.0	52.0	68.0	6.6	29.8

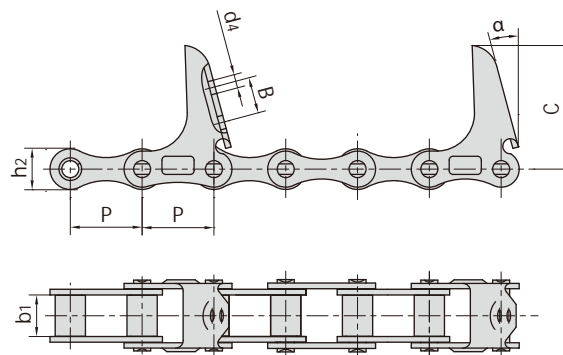


Chain with attachment for corn head gathering

Chain No.	P mm	b_1 mm	h_2 mm	T mm	C mm	α
ZGS38-C6E	38.0	22.0	21.5	3.0	62.0	15°
ZGS38S-C6EF	38.0	22.0	21.3	2.5	60.0	20°



Chain No.	P mm	b_1 mm	h_2 mm	d_4 mm	C mm	B mm	α
ZGS38-CPEF3	38.0	22.0	65.4	7.3	65.4	19.5	15°



Chain No.	P mm	b_1 mm	C mm	α
ZGS38-CPEF1	38.0	22.0	60.0	22.5°

