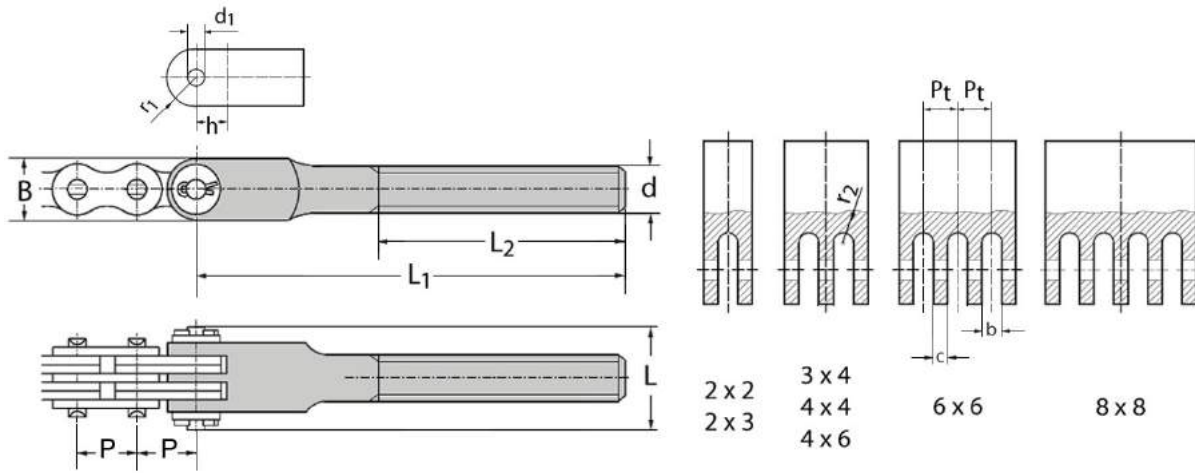


Fastening Block and Lacing for Leaf Chain

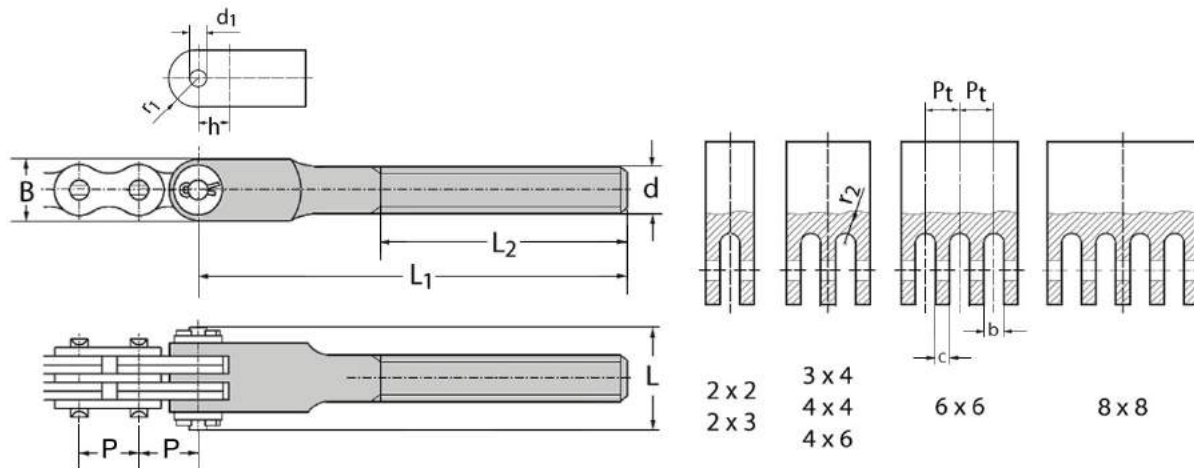


Fastening Block ref.	Fastening Block Dimensions													
	P	ISO DIN	Ref.	b	c	Pt	d1	h min.	r1	r2	B	L1	L2	d
	mm			mm	mm	mm	mm	mm	mm	mm	mm	mm	mm	mm
F 12-22 FB-120	12,70	LL 0822	F 12-22	3,50	3,00	6,76	4,46	7,30	6,50	1,70	20	160	120	M14x1,0
F 12-44 FB-120		LL 0844	F 12-44								20	160	120	M14x1,0
F 12-66 FB-140		LL 0866	F 12-66								20	172	140	M14x1,0
F 15-22 FB-140	15,875	LL 1022	F 15-22	3,50	3,00	6,76	5,10	8,50	8,00	1,70	20	172	140	M14x1,0
F 15-44 FB-140		LL 1044	F 15-44								20	172	140	M16X1,5
F 15-66 FB-140		LL 1066	F 15-66								20	172	140	M16X1,5
F 15-88 FB-140		LL 1088	F 15-88								20	172	140	M16X1,5
F 19-22 FB-120	19,05	LL 1222	F 19-22	4,10	3,60	7,76	5,73	10,00	9,50	1,70	25	160	120	M16X1,5
F 19-44 FB-130		LL 1244	F 19-44								25	170	130	M16X1,5
F 19-66 FB-160		LL 1266	F 19-66								25	200	160	M16X1,5
F 19-88 FB-160		LL 1288	F 19-88								25	200	160	M16X1,5
F 19-44V FB-130		LL 1244V	F 19-44V								25	170	130	M16X1,5
F 19-66V FB-160		LL 1266V	F 19-66V								25	200	160	M16X1,5
F 25-22 FB-140	25,40	LL 1622	F 25-22	6,70	6,20	13,00	8,30	13,50	13,00	3,00	25	178	140	M20X1,5
F 25-44 FB-190		LL 1644	F 25-44								25	230	190	M20X1,5
F 25-66 FB-145		LL 1666	F 25-66								25	178	145	M20X1,5
F 25-88 FB-200		LL 1688	F 25-88								25	240	200	M20X1,5
F 31-22 FB-140	31,75	LL 2022	F 31-22	7,50	7,00	15,00	10,20	17,00	16,50	3,50	30	190	140	M24X2,0
F 31-44 FB-140		LL 2044	F 31-44								30	190	140	M24X2,0
F 31-66 FB-165		LL 2066	F 31-66								30	230	165	M30X2,0
F 31-88 FB-200		LL 2088	F 31-88								30	250	200	M30X2,0
F 38-22 FB-160	38,10	LL 2422	F 38-22	11,00	10,00	21,00	14,70	22,00	20,00	5,00	40	230	160	M30X2,0
F 38-44 FB-160		LL 2444	F 38-44								40	230	160	M30X2,0
F 38-66 FB-180		LL 2466	F 38-66								40	250	180	M36X2,0
F 38-88 FB-200		LL 2488	F 38-88								40	280	200	M36X2,0
F 44-22 FB-90	44,45	LL 2822	F 44-22	13,00	12,00	26,00	16,00	25,00	24,00	6,00	45	200	90	M36X2,0
F 44-44 FB-90		LL 2844	F 44-44								45	200	90	M36X2,0
F 44-66 FB-160		LL 2866	F 44-66								45	250	160	M36X2,0
F 44-88 FB-160		LL 2888	F 44-88								45	250	160	M36X2,0
F 50-22 FB-180	50,80	LL 3222	F 50-22	13,60	12,60	26,00	17,90	28,00	27,00	6,00	50	255	180	M36X2,0
F 50-44 FB-180		LL 3244	F 50-44								50	255	180	M36X2,0
F 50-66 FB-200		LL 3266	F 50-66								50	375	200	M36X2,0
F 50-88 FB-200		LL 3288	F 50-88								50	375	200	M36X2,0

Fastening Blocks with other dimensions can also be produced on request.

Material 42CrMo4 (Black Phosphated against corrosion please add "BP")

Fastening Block and Lacing for Leaf Chain

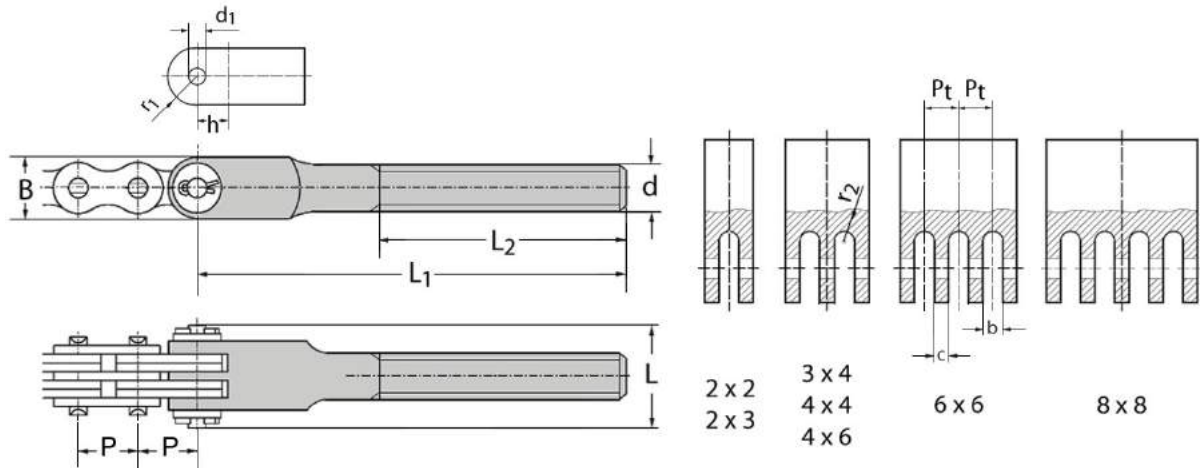


Fastening Block ref.	Fastening Block Dimensions													
	P	ISO DIN	Ref.	b	c	Pt	d1	h min.	r1	r2	B	L1	L2	d
	mm			mm	mm	mm	mm	mm	mm	mm	mm	mm	mm	mm
BL 422 FB-75	12,70	LH 0822	AL 522	4,20			5,10	9,00	6,50	2,0	20	110	75	M12x1,0
BL 423 FB-75		LH 0823		6,40						3,0	20	110	75	M12x1,0
BL 434 FB-75		LH 0834		4,20	2,00	6,35				2,0	20	110	75	M12x1,0
BL 444 FB-75		LH 0844	AL 544	4,20	4,00	8,47				2,0	20	150	120	M14x1,0
BL 446 FB-120		LH 0846		6,40	4,00	10,59				3,0	20	150	120	M14x1,0
BL 466 FB-120		LH 0866	AL 566	4,20	4,00	8,47				2,0	20	150	120	M14x1,0
BL 488 FB-120		LH 0888	AL 588	4,20	4,00	8,47				2,0	20	150	120	M14x1,0
BL 522 FB-140	15,8	LH 1022	AL 622	5,00			6,00	11,00	8,00	2,0	20	172	140	M14x1,0
BL 523 FB-140		LH 1023		7,75						3,0	20	172	140	M14x1,0
BL 534 FB-140		LH 1034		5,00	2,40	7,55				2,0	20	172	140	M16x1,5
BL 544 FB-140		LH 1044	AL 644	5,00	4,80	10,07				2,0	20	172	140	M16x1,5
BL 546 FB-140		LH 1046		7,75	4,80	12,59				3,0	20	172	140	M16x1,5
BL 566 FB-140		LH 1066	AL 666	5,00	4,80	10,07				2,0	20	172	140	M16x1,5
BL 588 FB-140		LH 1088	AL 688	5,00	4,80	10,07				2,0	20	172	140	M16x1,5
BL 622 FB-140	19,05	LH 1222	AL 822	6,80			8,00	14,00	9,50	3,0	25	178	140	M20X1,5
BL 623 FB-140		LH 1223		10,30						4,0	25	178	140	M20X1,5
BL 634 FB-140		LH 1234		6,80	3,20	10,05				3,0	25	178	140	M20X1,5
BL 644 FB-140		LH 1244	AL 844	6,80	6,40	13,40				3,0	25	178	140	M20X1,5
BL 646 FB-140		LH 1246		10,30	6,40	16,75				4,0	25	178	140	M20X1,5
BL 666 FB-140		LH 1266	AL 866	6,80	6,40	13,40				3,0	25	178	140	M20X1,5
BL 688 FB-140		LH 1288	AL 888	6,80	6,40	13,40				3,0	25	178	140	M20X1,5
BL 822 FB-140	25,40	LH 1622	AL 1022	8,00			9,60	18,00	12,50	4,0	25	178	140	M20X1,5
BL 823 FB-140		LH 1623		12,70						5,5	25	178	140	M20X1,5
BL 834 FB-140		LH 1634		8,00	4,00	12,42				4,0	25	178	140	M20X1,5
BL 844 FB-140		LH 1644	AL 1044	8,00	8,00	16,56				4,0	25	178	140	M20X1,5
BL 846 FB-130		LH 1646		12,70	8,00	20,70				5,5	25	175	130	M20X1,5
BL 866 FB-140		LH 1666	AL 1066	8,00	8,00	16,56				4,0	25	178	140	M20X1,5
BL 888 FB-140		LH 1688	AL 1088	8,00	8,00	16,56				4,0	25	178	140	M20X1,5

Fastening Blocks with other dimensions can also be produced on request.

Material 42CrMo4 (Black Phosphated against corrosion please add "BP")

Fastening Block and Lacing for Leaf Chain



Fastening Block ref.	Fastening Block Dimensions													
	P	ISO DIN	Ref.	b	c	Pt	d1	h min.	r1	r2	B	L1	L2	d
	mm			mm	mm	mm	mm	mm	mm	mm	mm	mm	mm	mm
BL 1022 FB-140	31,75	LH 2022	AL 1222	10,00			11,14	16,00	15,88	5,0	32	200	140	M24X2,0
BL 1023 FB-180		LH 2023		15,10						7,0	32	240	180	M24X2,0
BL 1034 FB-140		LH 2034		10,00	4,70	14,86				5,0	32	200	140	M24X2,0
BL 1044 FB-150		LH 2044	AL 1244	10,00	9,40	19,80				5,0	32	200	150	M24X2,0
BL 1046 FB-140		LH 2046		15,10	9,40	24,75				7,0	32	200	140	M24X2,0
BL 1066 FB-165		LH 2066	AL 1266	10,00	9,40	19,80				5,0	32	230	165	M30X2,0
BL 1088 FB-200		LH 2088	AL 1288	10,00	9,40	19,80				5,0	32	250	200	M30X2,0
BL 1222 FB-160	38,10	LH 2422	AL 1422	11,80			12,74	19,00	19,05	5,0	40	230	160	M30X2,0
BL 1223 FB-160		LH 2423		17,70						8,0	40	230	160	M30X2,0
BL 1234 FB-160		LH 2434		11,80	5,50	17,45				5,0	40	230	160	M30X2,0
BL 1244 FB-160		LH 2444	AL 1444	11,80	11,00	23,28				5,0	40	230	160	M30X2,0
BL 1246 FB-180		LH 2446		17,70	11,00	29,10				8,0	40	250	180	M30X2,0
BL 1266 FB-180		LH 2466	AL 1466	11,80	11,00	23,28				5,0	40	250	180	M30X2,0
BL 1288 FB-180		LH 2488	AL 1488	11,80	11,00	23,28				5,0	40	250	180	M30X2,0
BL 1422 FB-165	44,45	LH 2822		13,40			14,31	22,00	22,23	6,0	50	235	165	M36X2,0
BL 1423 FB-165		LH 2823		20,10						10,0	50	235	165	M36X2,0
BL 1434 FB-180		LH 2834		13,40	6,30	19,95				6,0	50	250	180	M36X2,0
BL 1444 FB-180		LH 2844	AL1644	13,40	12,60	26,60				10,0	50	250	180	M36X2,0
BL 1446 FB-180		LH 2846		20,10	12,60	33,25				6,0	50	250	180	M36X2,0
BL 1466 FB-210		LH 2866	AL 1666	13,40	12,60	26,60				10,0	50	280	210	M36X2,0
BL 1488 FB-210		LH 2888	AL 1688	13,40	12,60	26,60				10,0	50	280	210	M36X2,0
BL 1622 FB-200	50,80	LH 3222		15,00			17,49	26,00	25,40	7,0	55	270	200	M45x2,0
BL 1623 FB-200		LH 3223		22,50						10,0	55	270	200	M45x2,0
BL 1634 FB-200		LH 3234		15,00	7,10	22,71				7,0	55	270	200	M45x2,0
BL 1644 FB-230		LH 3244		15,00	14,20	30,28				7,0	55	300	230	M45x2,0
BL 1646 FB-230		LH 3246		22,50	14,20	37,85				10,0	55	300	230	M45x2,0
BL 1666 FB-230		LH 3266		15,00	14,20	30,28				7,00	55	300	230	M45x2,0
BL 1688 FB-230		LH 3288		15,00	14,20	30,28				7,00	55	300	230	M45x2,0

Fastening Blocks with other dimensions can also be produced on request.

Material 42CrMo4 (Black Phosphated against corrosion please add "BP")