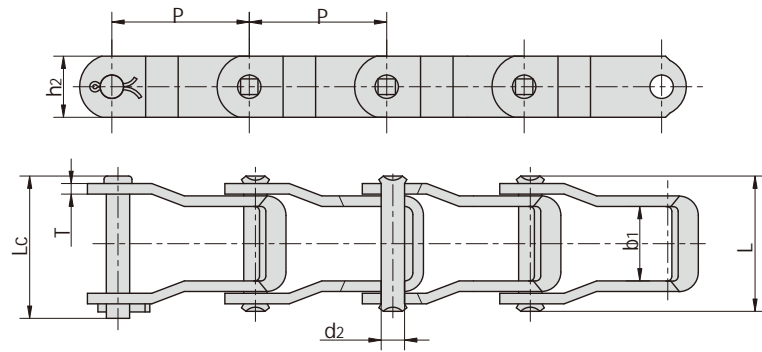
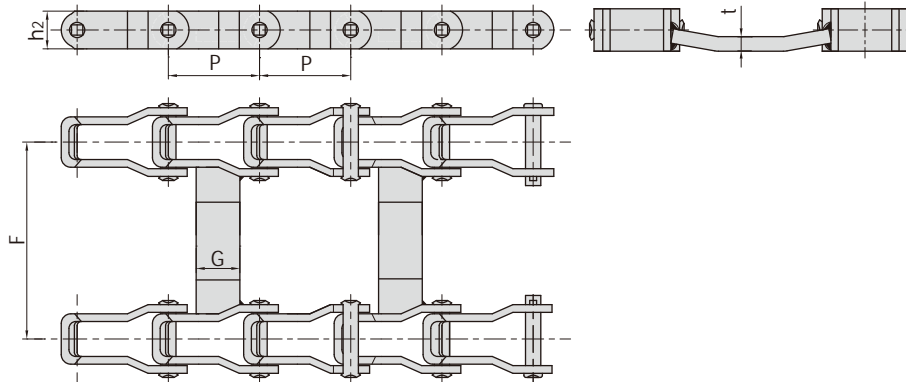


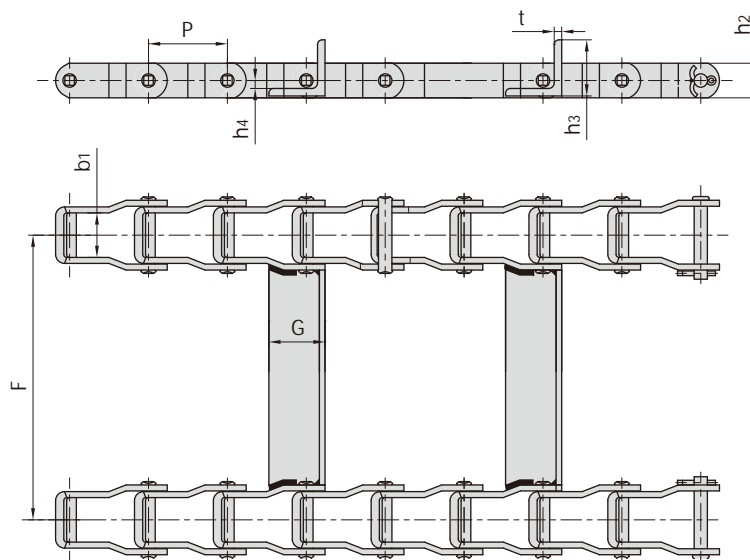
Steel Pintle Chain



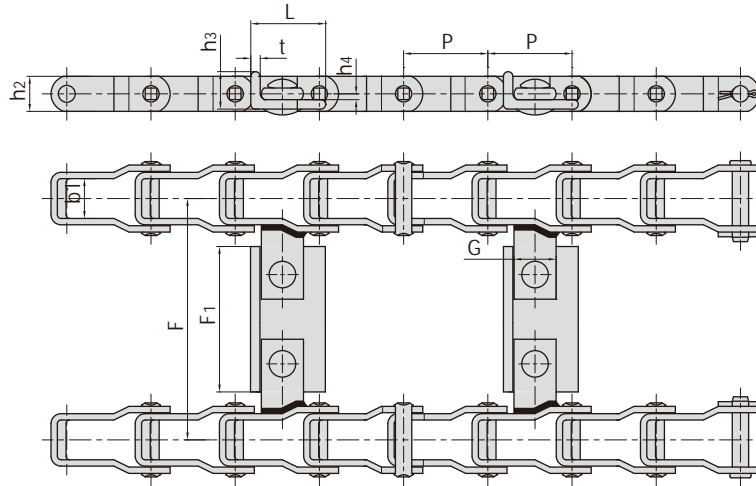
Chain No.	Pitch	Width between inner plates	Pin diameter	Pin length		Plate depth	Plate thickness	Tensile strength	Average tensile strength	Weight per meter
	P mm	b_1 min mm	d_2 max mm	L max mm	L_c max mm	h_2 max mm	T mm	Q min kN/lbf	Q_0 kN	q kg/m
205	31.75	9.53	5.08	41.2	44.2	11.9	2.1	18.0/4050	21.8	0.61
662	42.27	23.2	7.16	41.2	44.2	18.3	3.2	42.50/9560	49.8	1.66
662H	42.27	23.2	7.16	41.2	44.2	20.4	3.6	48.90/11000	52.0	2.04
662Hd	42.27	23.2	7.92	41.2	44.2	22.2	4.3	60.0/13500	65.8	2.66
667H	58.75	25.6	7.92	43.7	46.7	22.2	3.2	42.30/9614	59.3	1.85
667X	57.15	27.0	11.10	50.2	55.0	23.8	4.3	66.70/15159	96.5	2.91
667XH	57.15	27.8	11.91	58.0	62.0	26.8	5.7	124.50/28295	138.6	4.31
667K	57.15	27.8	11.10	55.5	60.0	26.8	5.1	89.00/20227	123.2	3.80
667J	57.15	27.0	9.52	50.2	55.0	23.8	4.3	62.28/14155	84.1	2.81
88K	66.27	27.8	11.10	55.5	60.0	26.8	5.1	89.00/20227	123.2	3.60
88C	66.27	31.75	12.70	64.6	69.0	28.6	6.4	133.36/30309	160.5	5.25
308C	78.10	32.5	15.88	72.6	78.0	38.1	8.0	227.00/51030	249.7	8.33



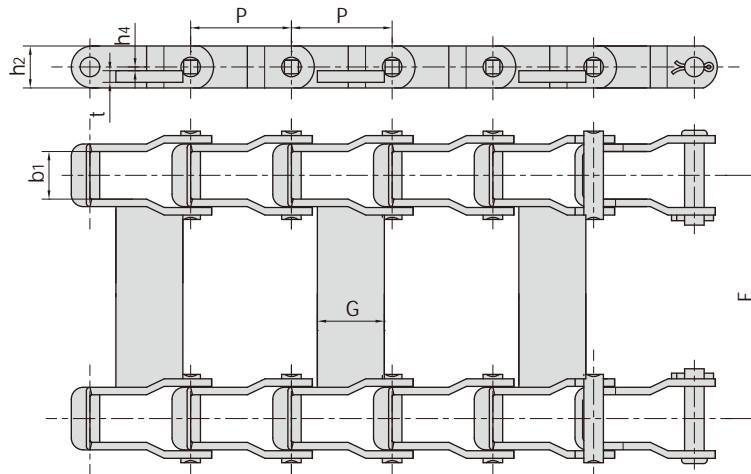
Chain No.	Pitch	Width between inner plates	Inner Plate depth	Attachment dimension			Tensile strength
	P mm	$b1$ min mm	$h2$ max mm	G mm	F mm	t mm	Q min kN/lbf
D667K-F536	57.15	27.80	26.80	38.10	536.70	9.70	67.00/15062
D667K-F714	57.15	27.80	26.80	38.10	714.20	9.70	67.00/15062
D88K-F604	66.27	27.80	26.80	31.75	604.20	9.50	37.80/8497



Chain No.	Pitch	Width between inner plates	Inner Plate depth	Attachment dimension					Tensile strength
	P mm	$b1$ min mm	$h2$ max mm	G mm	F mm	t mm	$h3$ mm	$h4$ mm	Q min kN/lbf
D662-LF539	42.27	23.2	18.3	30.0	539.75	3.0	30.00	5.25	37.80/8597
D662H-LF487	42.27	23.2	20.4	30.0	487.35	3.0	30.00	7.10	50.80/11420



Chain No.	Pitch	Width between inner plates	Inner Plate depth	Attachment dimension							Tensile strength
	P mm	b_1 min mm	h_2 max mm	G mm	F mm	F_1 mm	L mm	t mm	h_3 mm	h_4 mm	Q min kN/lbf
D667X-ASF814	57.15	27.00	23.80	28.60	814.40	749.30	50.80	4.80	25.40	4.00	66.70/14994
D667X-ASF1450	57.15	27.00	23.80	28.60	1450.90	1385.80	50.80	4.80	25.40	4.00	66.70/14994
D667K-ASF1736	57.15	27.80	26.80	31.75	1736.70	1671.60	50.80	6.40	38.10	4.80	66.70/14994



Chain No.	Pitch	Width between inner plates	Inner Plate depth	Attachment dimension				Tensile strength
	P mm	b_1 min mm	h_2 max mm	G mm	F mm	t mm	h_4 mm	Q min kN/lbf
D662-AF343	42.27	23.2	18.3	19.0	343.5	5.0	4.40	37.80/8597
D667X-AF514	57.15	27.0	23.8	38.0	514.4	7.0	0.00	66.70/14994