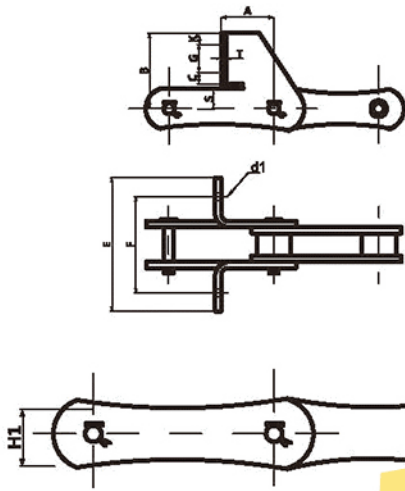
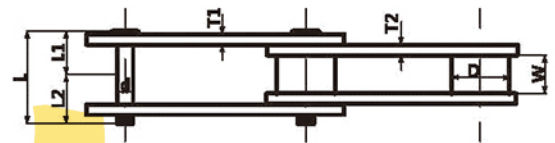


Chains for Sludge & Grit Collectors



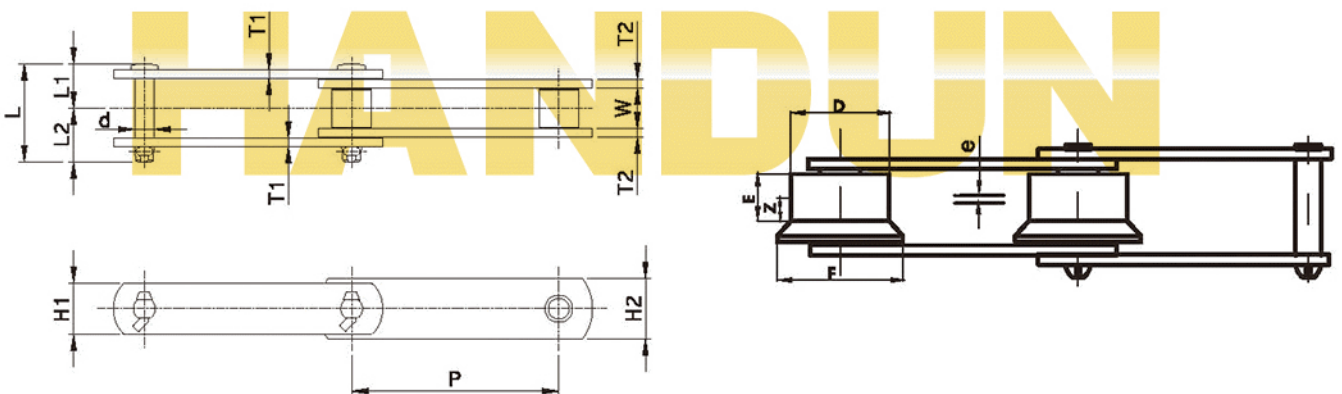
Used for collecting deposited sediment in settling basins and sedimentation basins or removing the collected sediment in sewage treatment facilities and other water treatment facilities require especially high resistance to corrosion and wear since they are directly exposed to sewage and sludge.

A dirt removing chain is moved vertically at a relatively fast speed on an almost vertically installed rail, though the operation frequency is low. So, a roller chain such as F type roller chain is used. Conversely, a chain for raking up or raking up and out, is driven at a very slow speed and does not require rollers. So a bushed chain such as bush chain is used.



Chain No.	P	D	W	d	L	L1	L2	H1	T1	H2	T2	U.T. S. (KN)	Wt. (Kg/m)
SAV709	148.4	22.4	32	11.5	66	29.8	36.2	31	5	37	5	83.4	3.3
SAV713	152.4	26	30	14.5	72	32	40	40	6	48	6	127	5.3
SAV715	152.4	26	30	14.5	72	32.5	39.5	40	6	48	6	147	5.3

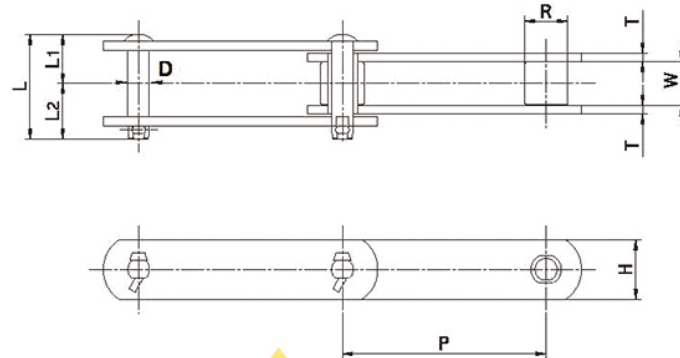
Attachment	A	B	C	D1	E	F	G	K	S	T
F228	76	200	38.1	11	140	95.3	114	25.1	22.5	6
F226	76	155	38.1	11	140	95.3	66.7	27.7	22.5	6
F228(SAV709)	74	210	41.6	11.1	140	95.3	144	28.7	25.4	6



HSS Type Stainless Steel Chain

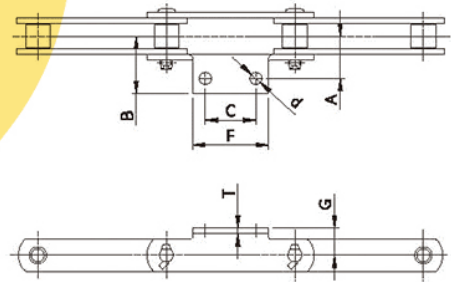
Chain No.	P	Bush (D)	Roller (D)			E	e	F	Z	W	d	L	L1	L2	H1	T1	H2	T2	kN
			S roller	R roller	F roller														
HSS15215	152.4	24	29	48	48	16	2.25	60	5.75	26	13.5	62	29	33	36	6	38	6	147
HSS15219	152.4	26	32	50	50	20	3	65	7	30	14.5	72	32.5	39.5	38	6	44	6	186
HSS15225	152.4	30	36	58	58	24	3	75	9	34	15.3	80	36	44	44	6	54	7	245
HSS15235	152.4	36	42	70	70	25	4	90	8.5	38	18.9	88	40	54	54	7	60	7	343
HSS15248	152.4	-	44.5	80	80	38	6	95	13	57.2	22.1	120	56	63.5	63.5	10	63.5	10	490

Chains for Sludge & Grit Collectors

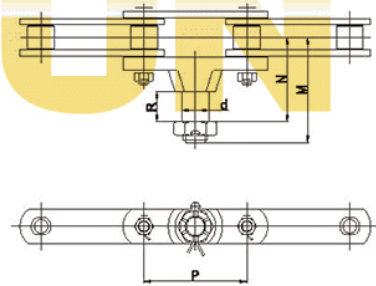


Chain No.	P	Roller(bush) D S roller	R roller	E	e	F	Z	W	D	L	L1	L2	H	T	kN
HSC15215	152.4	25.4	50.8	20	3	65	7	30.2	11.05	69	31	38	38.1	6.3	132
HSC15219	152.4	29	50.8	20	3	65	7	30.2	14.18	73.3	32.8	40	38.1	6.3	196
HSC15225	152.4	34.9	65	24	4	85	8	37.1	15.8	87.5	40	47.5	44.5	7.9	250
HSC15235	152.4	39.7	70	25	3.5	85	9	37.1	18.94	97.5	44.5	53	50.8	9.5	343
HSC15248	152.4	44.5	80	38	6	95	13	57.2	22.11	119.6	55.3	64.3	63.5	9.5	460

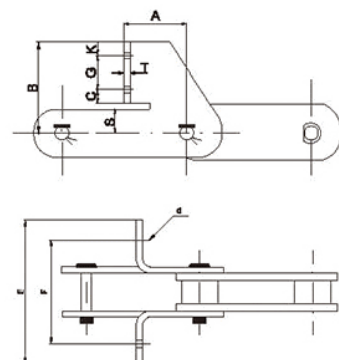
Chain No.	A	B	C	d	F	G	T
HSS15215A2	45	60	60	14	90	30	5
HSS15219A2	50	65	60	14	90	32	6
HSS15225A2	55	75	60	18	100	35	6
HSS15235A2	65	90	60	18	100	42	7
HSC15215A2	50	66	60	14	90	32	6.3
HSC15219A2	50	66	60	14	90	32	6.3
HSC15228A2	60	81	60	18	100	38	7.9
HSC15235A2	65	86	60	18	100	45	9.5
HSC15248A2	80	105	60	18	100	55	9.5



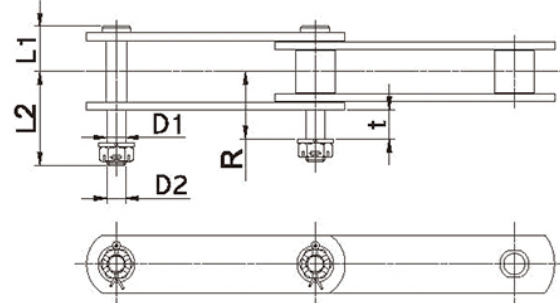
Chain No.	d	R	M	N
HSS15215 T1	25	30	102	80
HSS15219 T1	30	35	108	85
HSS15225 T1	40	44	149	122
HSS15235 T1	40	44	151	124
HSS15248 T1	50	50	184	145
HSC15215 T1	25	30	102	80
HSC15219 T1	30	35	108	85
HSC15228 T1	40	44	149	122
HSC15235 T1	40	44	151	124
HSC15248 T1	50	50	184	145



Chain No.	A	B	C	d	E	F	G	K	S	T
HSS15215 SF4	76	140	38	14	145	100	60	20	22	5
HSS15219 SF41	76	155	32	14	140	100	65	20	38	6
HSS15219 SF42	76	155	40	14	140	100	75	17.5	22.5	6
HSS15219 SF43	76	142.5	40	14	150	112	60	20	22.5	6
HSS15225 SF4	76	162	40	18	145	100	75	20	27	6
HSS15235 SF4	76	175	40	18	150	110	75	25	35	7



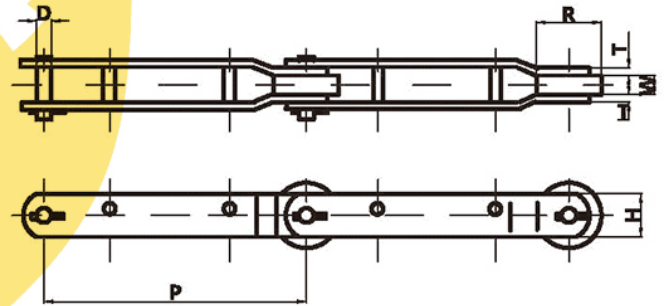
Chain No.	L1	L2	D1	D2	R	t
HSS15215 D22	29	51	13	M12	37	12
HSS15219 D22	32	58	14	M12	44	16
HSS15225 D22	36	64	15	M14	47	16
HSS15235 D22	40	72	18	M16	53	19
HSS15248 D22	55.6	85	18	M16	65.6	19
HSC15219 D22	32.8	59	13.5	M12	44.3	16
HSC15228 D22	40	68	15.5	M14	51.1	16
HSC15235 D22	44.5	74	18	M16	54.4	16
HSC15248 D22	55.4	85.4	18	M16	64.4	16



Bar Screen Carry Chains

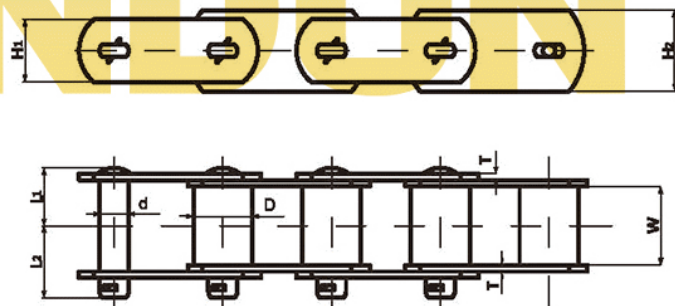
This is a powerful chain designed to be sufficiently resistant to corrosion, wear and impact so that it can serve the purpose of removing massive trash under severe conditions. It is of the offset type, which can allow lengthening and shortening in units of even a single link.

Chain No.	P	R	W	D	H	T	U.T.S. (KN)	Wt. (Kg/m)
HR60020R	600	100	34	18.9	50.8	9.5	196	11.7
HR60025R	600	100	38	22.1	63.5	9.5	245	14.3
HR60040R	600	100	54	25.2	76.2	12.7	392	23.3
HR60050R	600	100	64	28	76.2	16	490	28.3
HR60063R	600	115	72	31.6	90	16	618	35.8
HR60080R	600	125	80	35.5	100	19	784	48.3
HR60920R	609.6	95.25	42	19.05	69.85	9.5	190	10
HR60925R	609.6	100	42	25	70	10	265	18.2



Drive Chain - HB Stainless Bush Chains

This chain is used to connect water treatment equipment to a power source. In the past, JIS/ANSI type roller chains were used. For enhanced corrosion resistance, all the components are now made of 13Cr stainless steel. Since the chain is operated at a slow speed, a bushed chain without rollers is used. The sprockets are interchangeable with JIS/ANSI roller chain sprockets



Chain No.	P	D	W	d	L1	L2	H1	H2	T	U.T.S. (KN)	Wt. (Kg/m)
HB120	38.1	22.23	25.4	11.11	28.4	33.7	31.8	31.8	6	100	7.4
HBD120	76.2										6.3
HB140	44.45	25.4	25.4	12.65	29.4	34.7	38.1	38.1	6	147	9.1
HBD140	88.9										6.8
HB160	50.8	28.58	31.7	14.23	38	42.6	40	44.5	8	233	12.4
HBD160	101.6										9.4
HB200	63.5	39.69	38.1	19.85	47.9	55.7	52	57.2	10	353	21.2
HB240	76.2	47.6	47.63	23.81	56.7	65.3	59	63.5	12	451	30.3