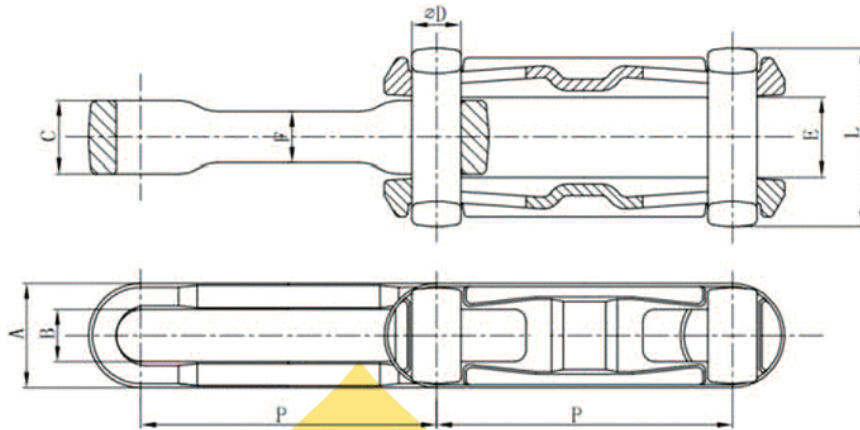


Drop Forged Rivetless chains

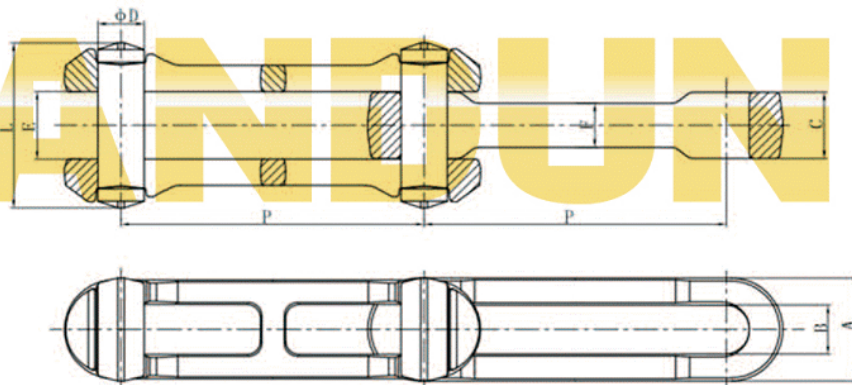
X TYPE



X type is furnished with all components heat treated, and is designed to have increased flexibility, transverse strength, and better operating performance. Regular Type is furnished with only the T-head pins heat treated. These pins are symmetrical and may be reversed when worn.

Chain No.	P	L	A	B	C	D	E	F	a	U.T. S. (KN)	Wt. (Kg/m)
X348	76.6	46	27	13.5	18.8	12.7	20.6	13.2	9°	110	3.4
X458	102.4	57	37	17.5	25	16	27	16	9°	210	5.2
X678	153.2	77	51	25.5	32.2	22	34.2	21	7°	320	9.2
XT100	100	57	37	17.5	25	16	27	16	9°	210	5.2
XT160	160	78	54	28	34	24	36	20.5	7°	320	10.3

H TYPE



Chain No.	P	A	L	B	C	D	E	F	a	U.T. S. (KN)	Wt. (Kg/m)
468H	102.4	84	47.8	22.2	41.3	19	43.3	29.5	9°	311	11.5
698H	153.2	90	70	33	36	28	38	25.4	7°	515	17.0
9118	228.6	125	75	37.2	50	35	52	33.5	5°	998	24.2