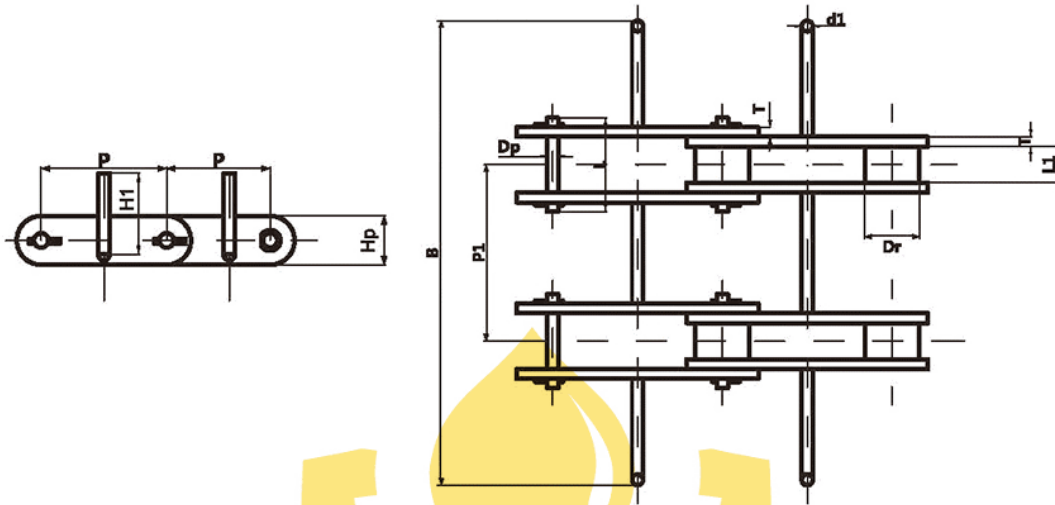


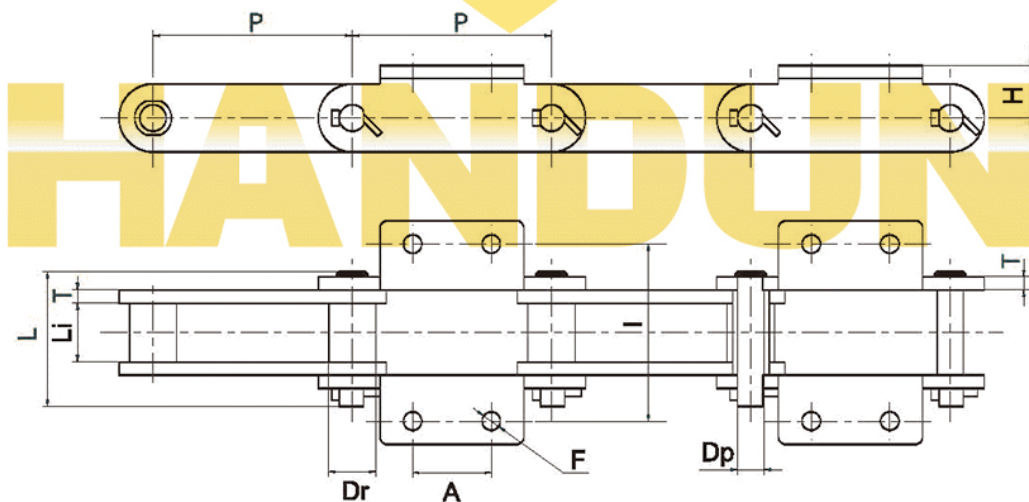


FU Double Conveyor Chain



TYPE	P	P1	Dr	Li	Dp	L	T	Hp	H1	B	d1	U.T. S. (KN)
FU600	300	165	48.5	57.6	23.1	126	10	75	180	560	25	2*550
FU700	300	240	48.5	57.6	23.1	126	10	75	215	660	25	2*550

DS Inclined Chain



TYPE	P	Dr	Li	Dp	L	T	H	F	Bucket Mounted(A*I)	U.T. S. (KN)
DS400	152.4	36	36.5	17.1	90	8	38	14	60*120	230
DS540	152.4	36	36.5	17.1	90	8	38	14	60*120	230
DS640	250	48.5	57.6	23.1	126	10	60	18	125*160	550
DS800	250	55	60	30	135	12	75	18	115*180	700