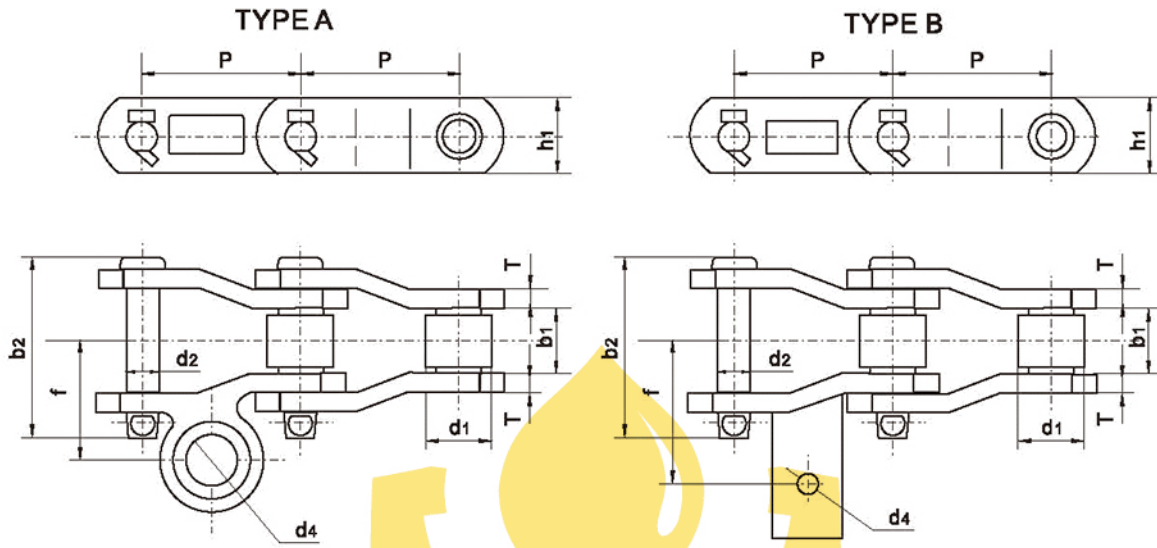
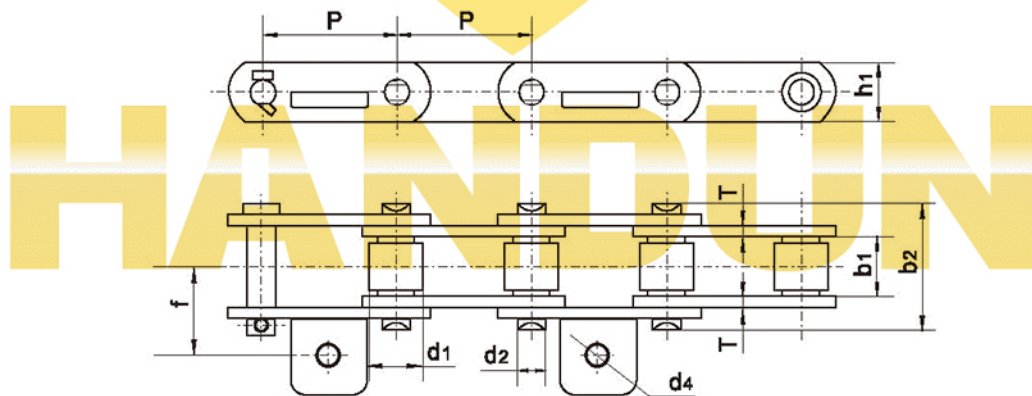


Chain for Paver

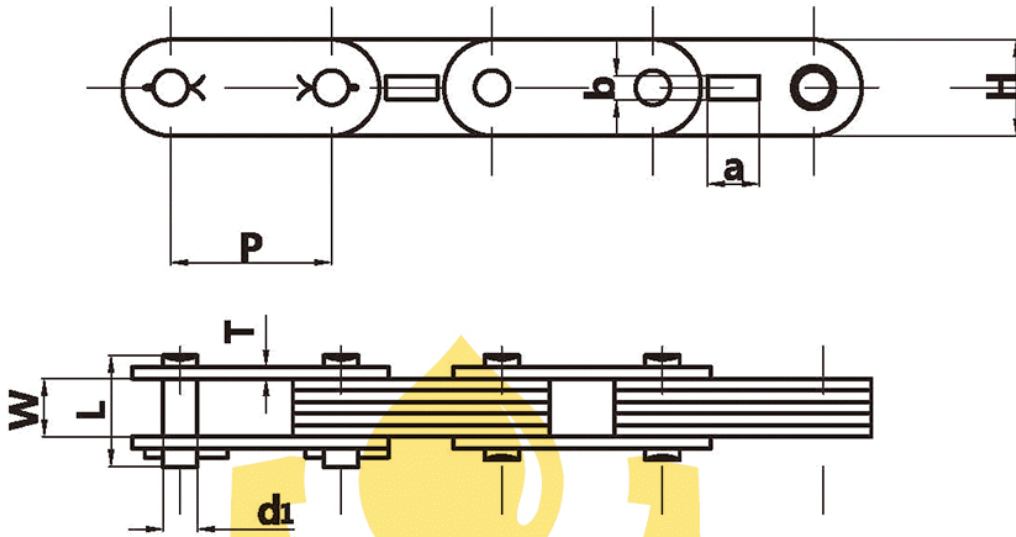


Chain No.	P	b1	d1	h1	T	d2	b2	d4	f	U.T.S KN	A.T.S KN	Wt. (Kg/m)	Type
SS40SL	78.1	31.4	31.75	38.1	9.5	15.88	89.2	25.4	58.7	265.00	318.00	33.20	A
SS40-A1	78.1	31.4	31.75	38.1	9.5	15.88	89.2	10.3	70.0	265.00	318.00	11.93	B



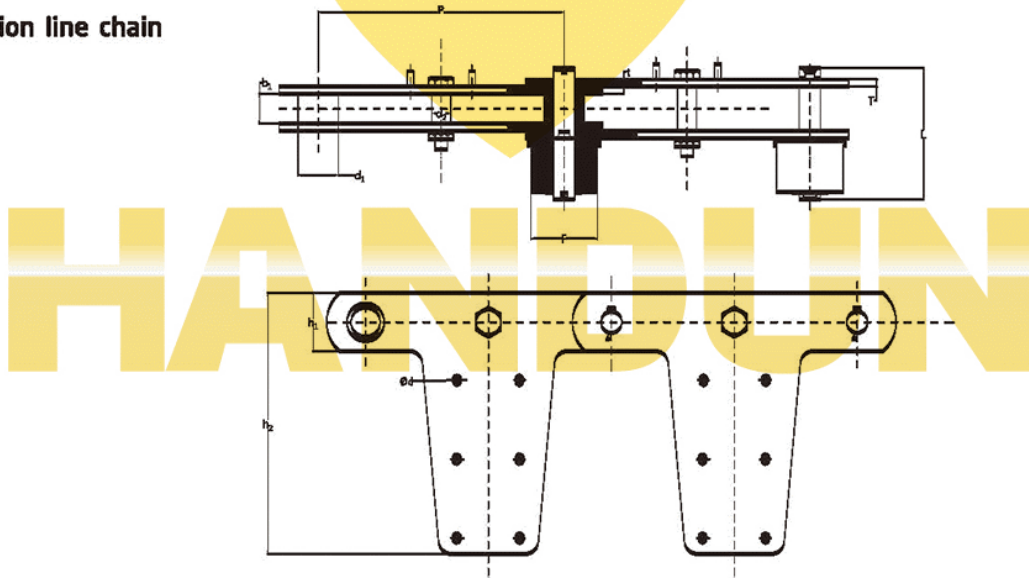
Chain No.	P	b1	d1	h1	T	d2	b2	d4	f	U.T.S KN
RMC5057	57.15	26.99	22.23	23.8	4.0	11.1	49.0	8.7	37.8	49.20
SGR-188	66.27	26.8	22.23	28.6	6.4	11.1	62.4	6.5	43.5	124.60
RMC15310	66.27	26.8	22.23	28.6	6.4	11.1	62.4	16.0	63.5	124.60
RMC14070	66.27	26	24	32	7	12.7	68	12	45.5	137.2
RMC20080	80	33.7	27.94	45	8	15.9	70	22.8	56.5	200
RMC25080	80	35	26	45	8	18	72.5	20.5	57.5	250

 Chain for Paver



Chain No.	P	W	d1	L	T	H	a	b	U.T. S. (KN)	Wt. (Kg/m)
P75	75	32	14.27	54.2	5.6	36	34	14	100	7.18

 Oil production line chain



Chain No.	P	d2	b1	d1	L	d	F	h1	h2	T	U.T. S. (KN)	Wt. (Kg/m)
Bm300	500	36	45	50	179	22	92	105	315	10	300	37
BM450	600	35	56	76	232	22	92	110	495	14	450	56.25
BM500	600	45	65	65	225	22	120	128	464	16	500	68.32
BM500H	600	55	95	80	263	22	120	150	475	18	500	87.4
BM980	600	45	65	65	225	22	120	150	464	16	980	66.8