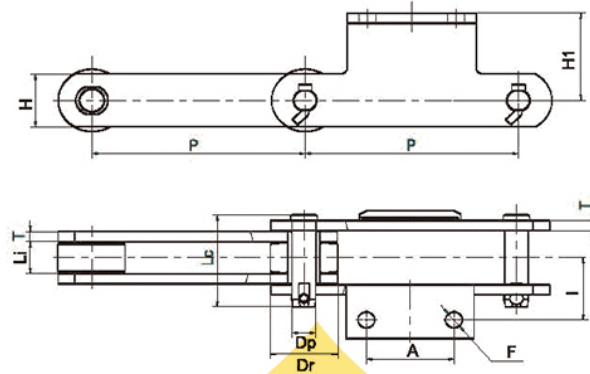


Reclaimer Bent sidebar Chain

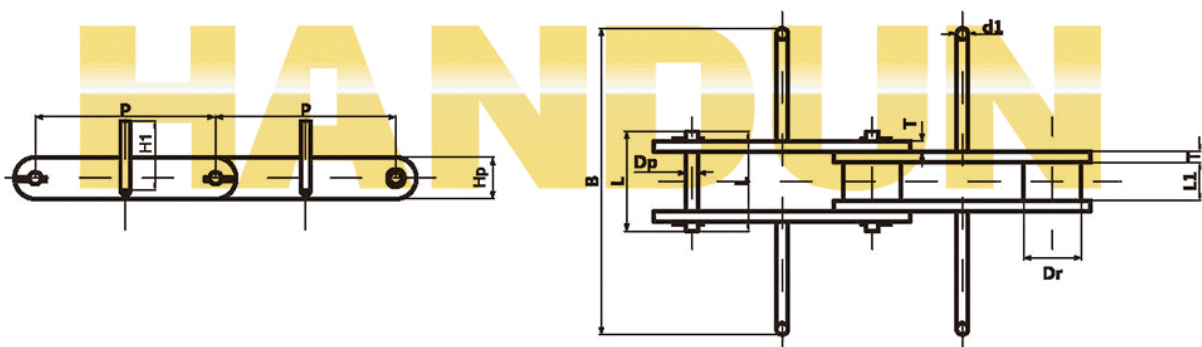
Used in transport of bulk materials such as ore, coal, coke and sand in the metallurgy, cement, steel and port industries.



TYPE	P	Li	Dr	Dp	H	H1	L	A	F	U.T. S. (KN)
DR260	250	42	85	21	63	164.5	90	100	21	260
DR500	250	57.2	50.8	24	63.5	130	70	40	14	500
DR550	250	46	95	25	75	136	106	100	26	550
DR750	250	55.2	95	28	75	125	110	100	25	750
DR600	250	48	100	25	70	120	85	120	17	600
DR1000	315	62	100	35	89	120	94.5	105	18.5	1000
Dr1400	400	65	120	40	100	150	125	140	26	1400

FU Single Conveyor Chain

Specialized used in transport high temperature (500°C) materials.



TYPE	P	Dr	Li	Dp	L	T	Hp	H1	B	d1	U.T. S. (KN)
FU200	152.4	36	36.5	17.1	90	8	50	65	160	16	230
FU270	152.4	36	36.5	17.1	90	8	50	85	240	16	230
FU350	200	44.5	51.8	21.1	120	10	60	123	320	20	380
FU410	200	44.5	51.8	21.1	120	10	60	148	370	20	380
FU410Q	200	48.5	57.6	23.1	126	10	75	148	370	20	550
FU500	300	63.5	67.4	31.75	150	12	90	180	460	25	750