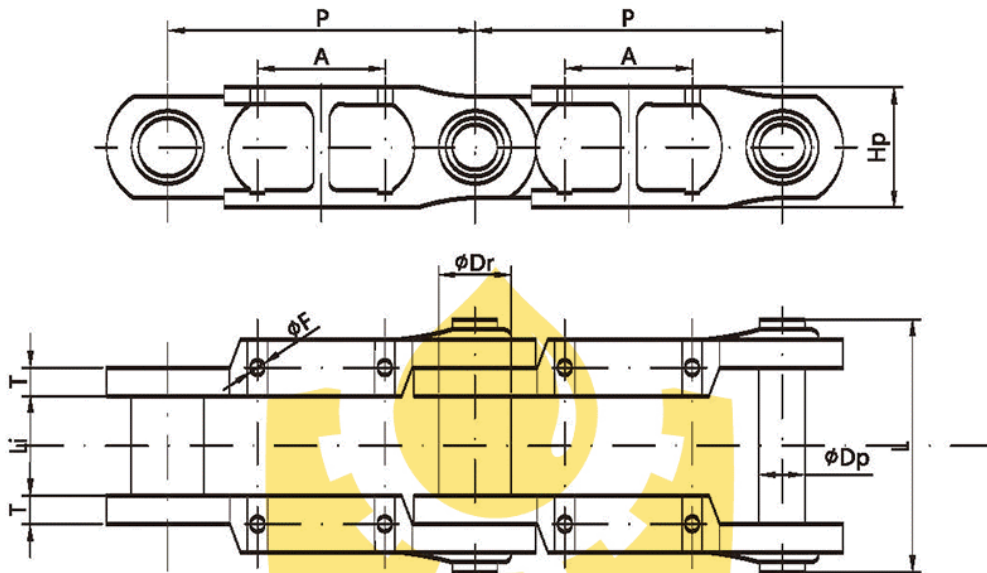


SCD Forged Bucket Chain

All forged link is passed by non-destructive testing.
comprehensive testing of heavy duty pin Material and heat treatment defects.



TYPE	P	Dr	Li	Dp	T	Hp	L	F	Bucket Mounted(A*I)	U.T. S. (KN)
SCD630	160	48.5	50	32	14	100	145	14	80*80	700
SCD800	250	48.5	50	34	15	100	170	14	80*100	800
SCD1250	250	60	60	44	22	110	170	14	80*100	1200

