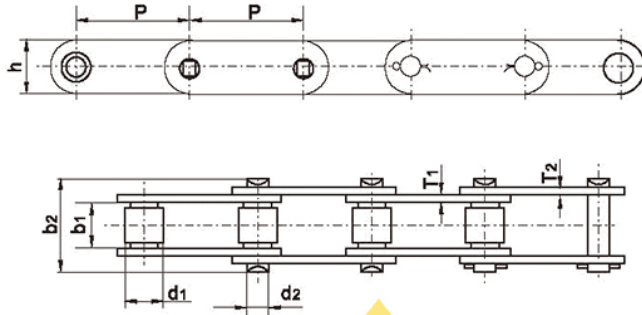




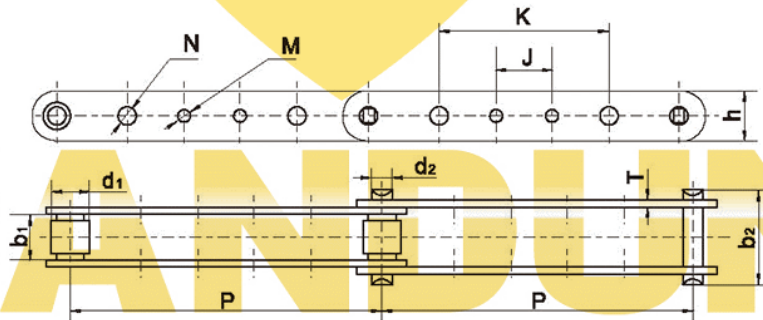
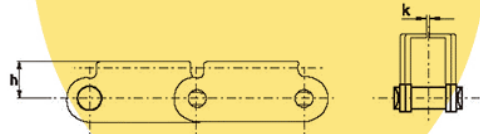
Timber conveyor chain



ANSI Chain No.	P	d1	b1	d2	b2	h	T1	T2	U.T. S. (KN)	Wt. (Kg/m)
81X	66.27	23.02	26.99	11.1	49.0	28.6	4.00	4.00	106.7	3.90
81XH	66.27	23.02	26.99	11.1	61.2	32.3	7.87	5.60	152.0	5.90
81XHH	66.27	23.02	26.99	11.1	63.5	32.3	7.87	7.87	186.7	6.52

RT ATTACHMENT

Chain No.	h	k
	25.4	1.3



Chain No.	P	d1	b1	d2	b2	h	T	J	K	N	M	U.T. S. (KN)
3939	203.2	23.02	26.99	11.1	49.0	28.6	4	38.1	/	/	6.35	115.58
D3939-B4								38.1	101.6	7.14	7.14	
D3939-B21								38.1	/	/	7.14	
D3939-B23								/	92.1	10.30	/	
D3939-B43								38.1	92.1	10.30	7.14	
D3939-B24								/	101.6	7.14	/	
D3939-B40								/	101.6	10.30	/	
D3939-B44								38.1	101.6	10.60	7.14	