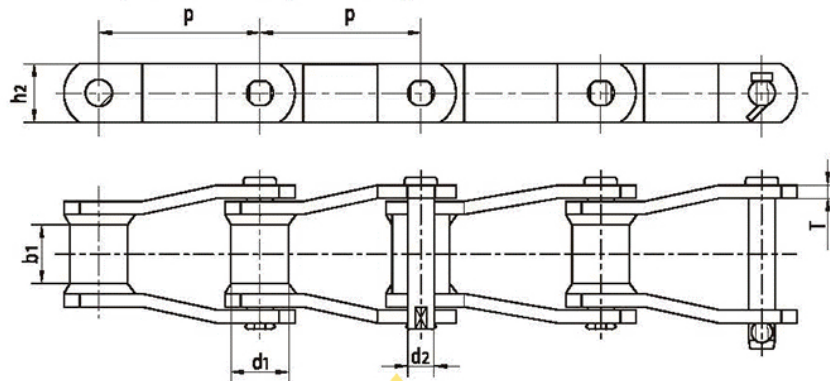
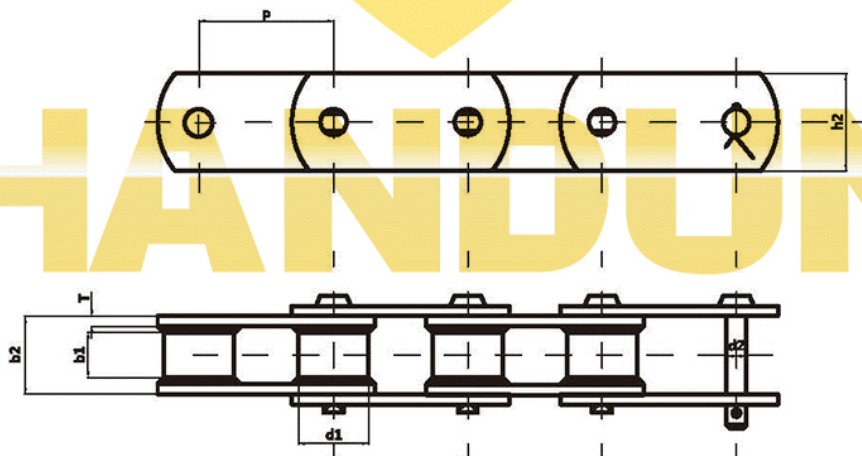


## Welded Offset Sidebar Chain (ANSI B29.16,ISO6972)



Chain No.	P	b1	d1	d2	T	h2	R-UTS (kN)	H-UTS (kN)	Wt (kg/m)	
WR78	WH78	66.27	28.4	22.23	12.7	6.35	31.75	93.4	146	6.2
WR82	WH82	78.1	38.1	27	14.29	6.35	31.75	100	133	7.18
WR124	WH124	101.6	41.2	31.75	19.05	9.53	38.1	169	307	11.6
WR111	WH111	120.9	57.15	31.75	19.05	9.53	44.45	169	266.7	12.7
WR106	WH106	152.4	38.1	31.75	19.05	9.53	38.1	169	250	9.3
WR132	WH132	153.67	73	44.45	25.4	12.7	50.8	275	511	21.1
WR150	WH150	153.67	73	44.45	25.4	12.7	63.5	531	543	25.4
WR155	WH155	153.67	73	44.45	28.58	15.88	63.5	659	779	29.5
WR157	WH157	153.67	76.2	44.45	28.58	15.88	63.5	659	779	29.7
WR159	WH159	155.575	69.85	48.3	31.75	15.88	76.2	823	935	38.7
WR200	WH200	155.575	69.85	48.3	31.75	15.88	76.2	823	846	32.8

## Welded Straight Sidebar Chain



Chain No.	P	b1	b2	d1	d2	T	h2	Lc	UTS(kN)	WT(kg/m)
WRC78	66.27	25.4	50.8	21.34	12.7	6.35	31.75	76.2	120	6.4
WRC82	78.11	28.58	57.15	25.4	14.29	6.35	31.75	100.01	133	
WRC131	78.11	28.58	57.15	31.75	19.05	9.53	38.1	100.01	224	10.1
WRC124	101.6	38.1	69.85	31.75	19.05	9.53	38.1	107.95	224	11.88
WRC111	120.9	57.15	85.73	31.75	19.05	9.53	44.45	122.24	224	13.66
WRC110	152.4	38.1	69.85	31.75	19.05	9.53	38.1	107.95	224	10.7
WRC132	153.67	76.2	111.92	41.28	25.4	12.7	50.8	165.1	380	21
WRC150	153.67	76.2	111.92	41.28	25.4	12.7	63.5	165.1	534	24.28